

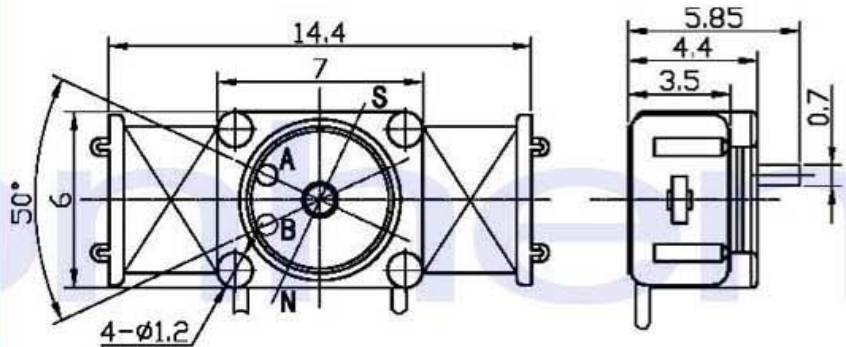
ZHS-0504 Swing Solenoid

ISO/TS16949 ISO9000 ISO14000
RoHS REACH CE UL VDE TÜV



总重量 Total Weight: 6g
应用范围: 用于监控设备等
APPLICATION: Near The Control Equipment etc

类型: 摆动式 TYPE: SWING TYPE



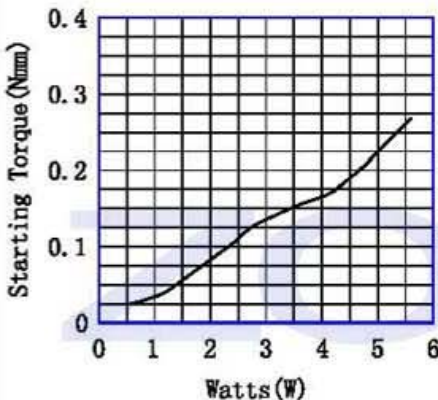
单位:mm Units:mm

综合特性 GENERAL FEATURES

- | | |
|---------------------------------|---|
| 1. 最低工作电压
LEAST WORK VOLTAGE | DC3V
DC3V |
| 2. 保持扭矩
KEEP FORCE | 0.02Nmm
0.02Nmm |
| 3. 温升
(TEMPERATURE RISE) | 在电压DC-3V下, 温升为65°C _{Max}
AFTER DC-3V APPLIED BY RESISTANCE METHOD 65 deg MAX |
| 4. 寿命
(LIFE) | 典型值为10万次(通电0.1秒, 断电0.3秒)
REPETITIVE OPERATION FOR 0.1 MILLION CYCLE(ON:0.1Sec
OFF:0.3Sec)at DC24V |
| 5. 耐电压
(DIELECTRIC STRENGTH) | 线圈和框架间AC500V(50/60Hz)1Min或
AC600V(50/60Hz)1Sec(击穿电流1mA)
BETWEEN COIL AND FRAME AC500V(50/60Hz)1Min OR
AC600V(50/60Hz)1Sec(1mA) |

COIL DATA线圈资料

工作周期(%) = $\frac{\text{工作时间}}{\text{工作时间} + \text{断开时间}} \times 100\%$ Duty cycle (%) = $\frac{\text{"ON" time}}{\text{"ON" time} + \text{"OFF" time}} \times 100\%$	间断 Or less 25%	间断 Or less 10%	间断 Or less 5%
最大工作时间(秒) MAX "on" time in seconds	20		
瓦特(W) (在20°C) Watts at 20°C	0.45		
安匝数AT (在20°C) Ampere-turns at 20°C	110		



型号 Type no.	阻值(20°C) Resistance (Ω) ±10%	起始扭矩 (Nmm) Starting Torque	电压(VDC) VoltS DC
ZHS-0504-XX A XX	20	0.02	3
电压Voltage(V)			
系列号Serial No.: A, B, C...			
电阻Resistance(Ω)			

摆动式ZHS